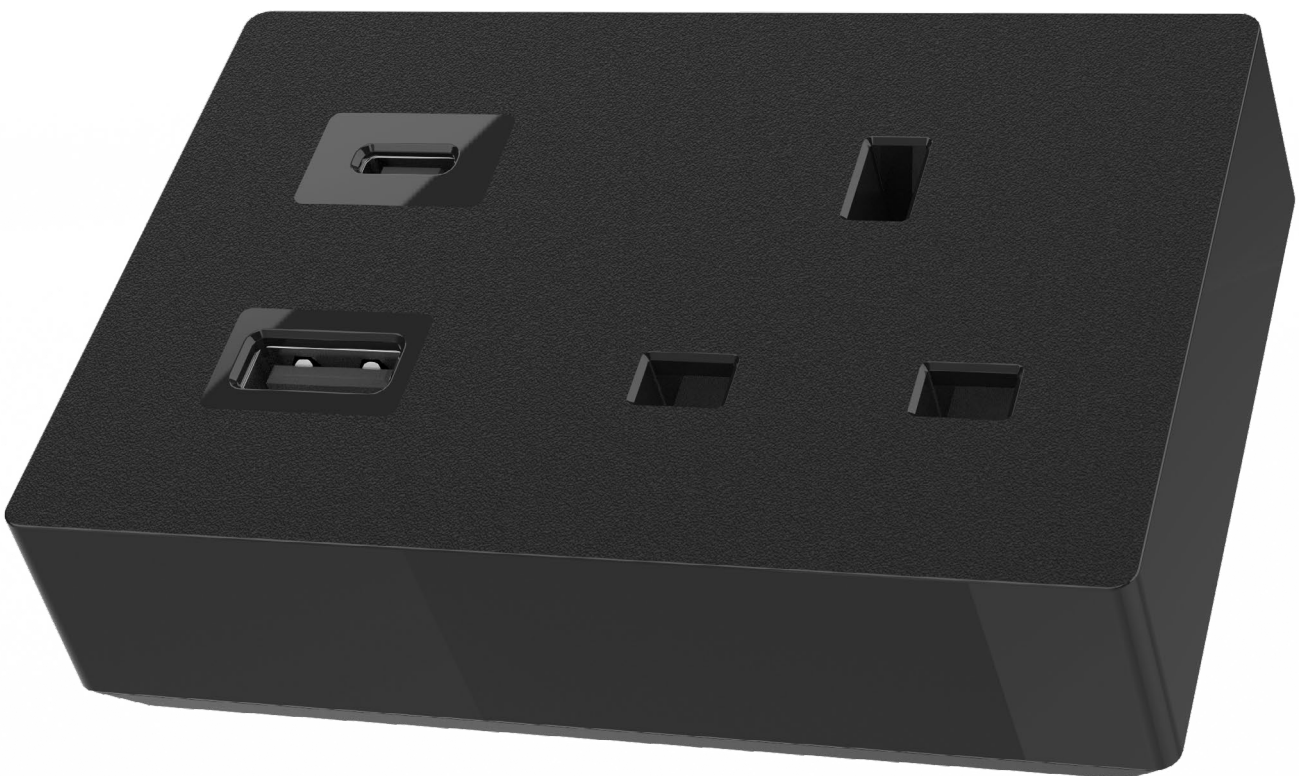


NANO

Technical sheet

sourcecetek.com/global



sourcecetek

Introducing compact power in a stylish package

The compact super stylish desktop module perfect for workplace, hospitality, home and anywhere with a small space!



Sleek and small to fit into any imaginable environment

The Nano module incorporates 'Trip free' circuit breakers which comply with section 5.5.7 a of BS6396.2022.

A trip-free circuit breaker is a breaker that will trip (open) even if the operating mechanism (ON-OFF switch) is held in the ON position.



Thermal reset switch



Discreet desk clamp and cable exit.



Dual charge USB type A+C



TECHNICAL INFORMATION

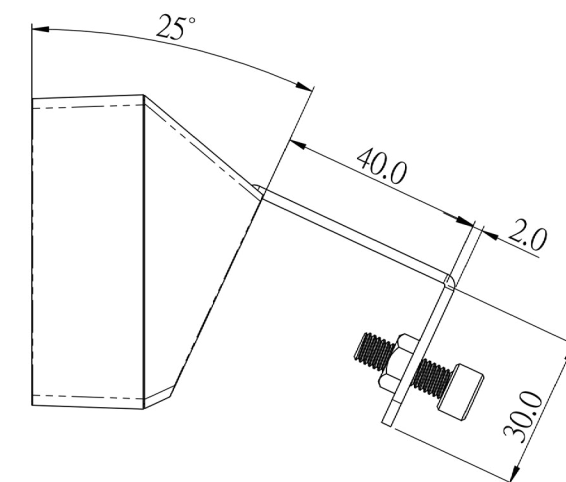
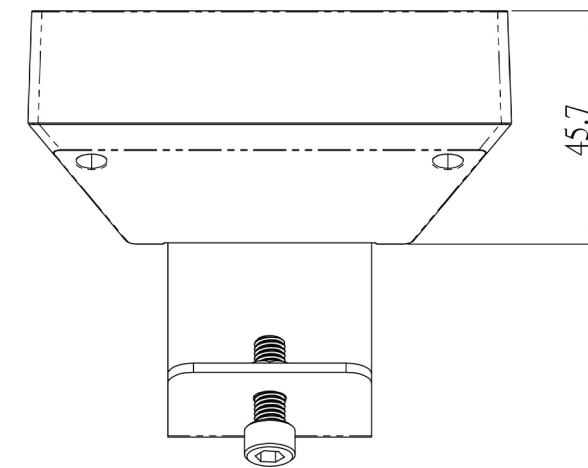
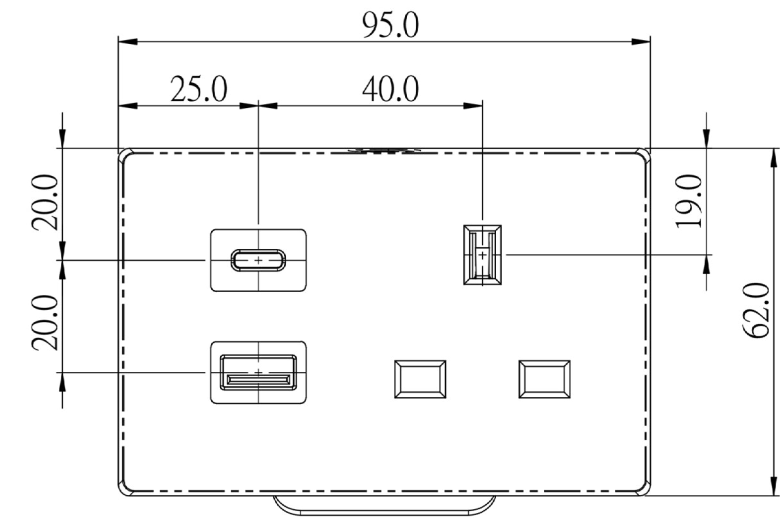
Sourcetec is a registered trademark & is part of the Workstories group.
 Workstories Ltd Reg No: 08559545.
 13 Northburgh Street, London, EC1V 0JP

Product code	SOU/P-AD-NA-1DFCAC-B
Input	230V 50Hz
Output	5V, 2.4A, 12.7W
Power socket protection	3A (TOTAL LOAD MUST NOT EXCEED 3A)
Cable	0.8m Drop Lead H05VV-F 3G1,5 to GST18 type plug
Socket outlet	1 x UK Socket
2x USB outlet	USB Type A+C (2.4A combined)
Table fitting	Supplied with C Clamp to suit tabletop thickness to 30mm

Average active efficiency	80.55%
Efficiency at low load (10%)	78.15
No Load power consumption	0.08W

DC overcurrent	Auto reset
DC overvoltage	Auto reset
Reset after shutdown	Yes
Over-temperature	Yes

Safety standards	Ecodesign BS EN 505363:2011
	RoHS IEC 62321-3-1
	BS 5733: 2010+A1; 2014
	BS1363-2: 2016+A1;
	EN62368 1;
	EN62680 1;





Warranty & General Care

sourcetec.global

Warranty

Workstories Ltd offers a 1-year warranty on our Sourcetec range.

This applies only if products have been used within and by standard office conditions. Wear and tear must be expected from normal use and are not covered by the warranty.

General Care

CARE & MAINTENANCE

–
Apart from replacing or resetting fuses, Sourcetec products are manufactured to be maintenance free. Periodically clean the units by first disconnecting the power and then clean using a soft damp cloth. Do not use harsh chemical solvents or detergents. Dry immediately with a soft dry cloth.

TESTING

–
All Sourcetec units are tested before they leave the factory, any suspected damage or manufacturing defects need to be raised with Sourcetec immediately for further investigation.

Environmental Practices

Workstories is dedicated to being environmentally conscious. We strive to ensure the continued availability of natural resources for current and future generations, and as part of our mission, we recognise the responsibility to protect human health, the environment, and natural resources, and to continually strive to improve the environmental quality of our operations.

To carry out this commitment, it is our policy to ensure all our factories:

Meet or exceed the requirements of all environmental laws and regulations applicable to our operations.

Limit our impact on the environment to the extent practicable and work to reduce recognised environmental risks to our employees and the communities in which we operate by employing safe technologies and operating procedures.

Continually assess our environmental programs and monitor our environmental performance.

Have operating policies and programs in place to implement our Environmental Quality Policy.

Workstories guarantees limited carbon footprint for our products. Workstories is a full member of FIRA and FISP. We hold FSC, ISO9001 and ISO14001 certifications.



sourceceteC

sourceceteC:global